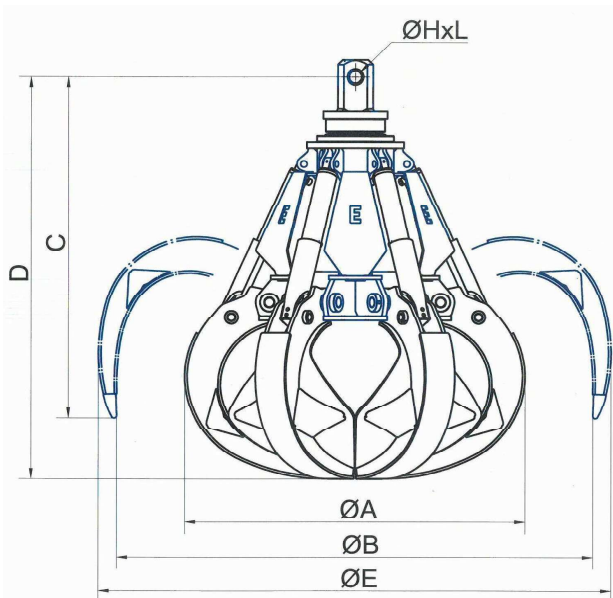




EUROMECC s.r.l.

Polipi idraulici • Hydraulic grabs • Grappins hydrauliques • Pulpos hidráulicos

PLP Series (RH 706)



| MODELLO/MODEL | Lt. | Max Mpa | N° | D | B | C | Kg | Max Lt/min | | | Max Ton |
|---------------|-----|------------|----|------|------|------|------|---------------|-------|-------|------------|
| PLP/6 40 | 400 | 30 | 6 | 815 | 855 | 895 | 2225 | 140 | 1/2"G | / | 15 - 22 |
| PLP/6 50 | 500 | 30 | 6 | 850 | 890 | 930 | 2050 | 140 | 1/2"G | / | 15 - 22 |
| PLP/6 60 | 600 | 30 | 6 | 900 | 940 | 980 | 1930 | 140 | 1/2"G | / | 15 - 22 |
| PLP/6 70 | 700 | 30 | 6 | 975 | 1005 | 1045 | 1825 | 140 | 1/2"G | / | 15 - 22 |
| PLP/6G 40 | 400 | 30 | 6 | 925 | 965 | 1005 | 2225 | 140 | 1/2"G | RH706 | 15 - 22 |
| PLP/6G 50 | 500 | 30 | 6 | 960 | 1000 | 1040 | 2050 | 140 | 1/2"G | RH706 | 15 - 22 |
| PLP/6G 60 | 600 | 30 | 6 | 1010 | 1050 | 1090 | 1930 | 140 | 1/2"G | RH706 | 15 - 22 |
| PLP/6G 70 | 700 | 30 | 6 | 1075 | 1115 | 1155 | 1825 | 140 | 1/2"G | RH706 | 15 - 22 |

| MODELLO/MODEL | ØA | ØB | C | D | ØE | HxL |
|---------------|------|------|------|------|------|--------|
| PLP/6 40 | 1305 | 1780 | 1115 | 1345 | 1925 | 50x105 |
| PLP/6 50 | 1350 | 1890 | 1135 | 1385 | 2000 | 50x105 |
| PLP/6 60 | 1430 | 2020 | 1155 | 1465 | 2165 | 50x105 |
| PLP/6 70 | 1520 | 2160 | 1175 | 1515 | 2315 | 50x105 |
| PLP/6G 40 | 1305 | 1780 | 1385 | 1615 | 1925 | 50x105 |
| PLP/6G 50 | 1350 | 1890 | 1440 | 1655 | 2000 | 50x105 |
| PLP/6G 60 | 1430 | 2020 | 1425 | 1735 | 2165 | 50x105 |
| PLP/6G 70 | 1520 | 2160 | 1445 | 1785 | 2315 | 50x105 |

| ROTATORE/ROTATOR | | | |
|------------------|-----|----|-------|
| | MPa | | |
| / | / | / | / |
| / | / | / | / |
| / | / | / | / |
| / | / | / | / |
| RH706 | 19 | 25 | 1/2"G |
| RH706 | 19 | 25 | 1/2"G |
| RH706 | 19 | 25 | 1/2"G |
| RH706 | 19 | 25 | 1/2"G |

DATI E PESI NON SONO IMPEGNATIVI, LA DITTA SI RISERVA DI APPORTARE MODIFICHE SENZA PREAVVISO
 DATA AND WEIGHTS ARE NOT BINDING, THE COMPANI RESERVES ITSELF THE RIGHT TO MAKE IMPROVING AMENDMENTS WITHOUT NOTICE
 DONNÉES ET POIDS NE SONT PAS ENGAGÉANTS, LA SOCIÉTÉ SE RESERVE LE DROIT DE FAIRE DES CHANGEMENTS SANS PRÉAVIS
 DATOS Y PESOS NO SON VINCULANTES, LA EMPRESA SE RESERVA DE APORTAR MODIFICACIONES SIN ADVERTENCIA PREVIA