

# POLIPI POT H

## I - Benna idraulica a polipo a cilindri orizzontali ideale per caricatore ripieghevole a Z

GB - Hydraulic polyp-grab with horizontal cylinders ideal for Z - collapsible truck crane

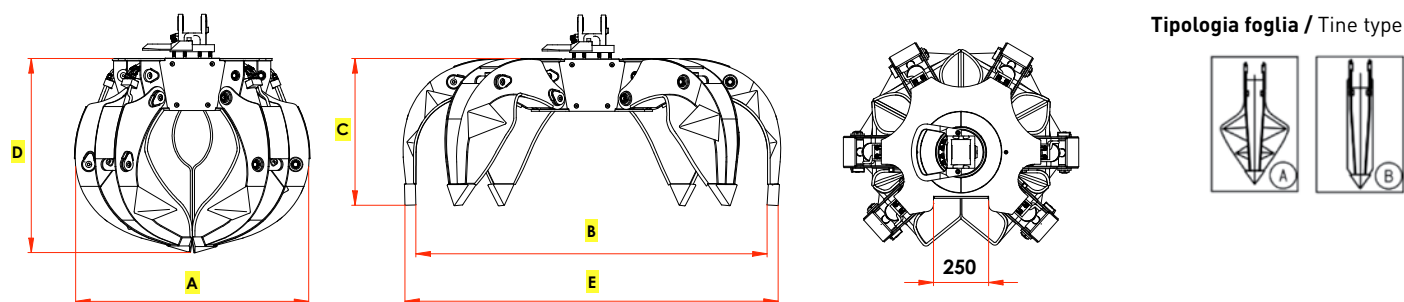
D - Hydraulikmerschalengreifer mit liegenden Zylindern ideal für zusammenfaltbare Z- Ladekräne

F - Grappin à ferraille hydraulique avec vérins horizontaux idéal pour la grue de camion repliable à Z

E - Pulpo hidráulico con cilindros horizontales ideal para camión grúa plegable a Z



## DISEGNO TECNICO / TECHNICAL DRAWING





Tipologia foglia / Tine type



Portata gru a braccio sfilato / Lifting capacity at the end of boom



Peso escavatore / Excavator weight

Modello Type	Denti Teeth	Capacità Capacity	Portata Load	Peso Weight	Pressione Pressure	Portata olio Oil flow			A	B	C	D	E
	nr.	Lt	kg	kg	Max bar	Lt/min	Ton.	Ton.	mm	mm	mm	mm	mm
POT H 280/5	5	280	3000	385	250	60	0,8-2,0	-	1070	1580	670	870	1710
POT H 280/6	6	280	3000	425	250	85	0,8-2,0	-	1070	1580	670	870	1710