

**100**

9987 (10164)

6787 4000 3200

L170K	2980	2510	2150	1850	1620
L150K	2900	2460	2010	1500	1240
L130K	2500	2050	1740	1450	1170

[kg] [m]

**76**

7547 (7724)

5247 2937 2300

L170K	4840	3750	3120	2640	2240
L150K	3480	2860	2760	2250	1720
L130K	3140	2580	2500	2030	1480

[kg] [m]

**96**

9607 (9784)

6407 3620 3200

L170K	3010	2550	2170	1870	1640
L150K	2890	2440	1990	1480	1230
L130K	2460	2040	1720	1420	1160

[kg] [m]

**72**

7165 (7342)

5580 2937 1585

L170K	4920	3820	3180	2710	2300
L150K	3500	2870	2770	2270	1730
L130K	3200	2620	2530	2060	1520

[kg] [m]



**83**

8228 (8405)

6643 4000 1585

L170K	5040	3800	3070	2600	2230	1930
L150K	4790	3680	3000	2570	2130	1760
L130K	4120	3160	2570	2150	1820	1560

[kg] [m]

**82**

8230 (8407)

5930 3620 2300

L170K	4960	3740	3050	2590	2210	1900
L150K	4860	3640	2910	2460	2010	1500
L130K	3940	3040	2500	2070	1750	1430

[kg] [m]

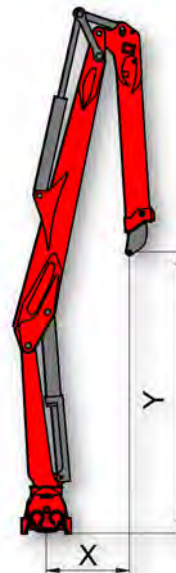
**79**

7848 (8025)

6263 3620 1585

L170K	5030	3810	3110	2650	2260
L150K	5000	3690	2950	2500	2060
L130K	4010	3100	2550	2140	1870

[kg] [m]



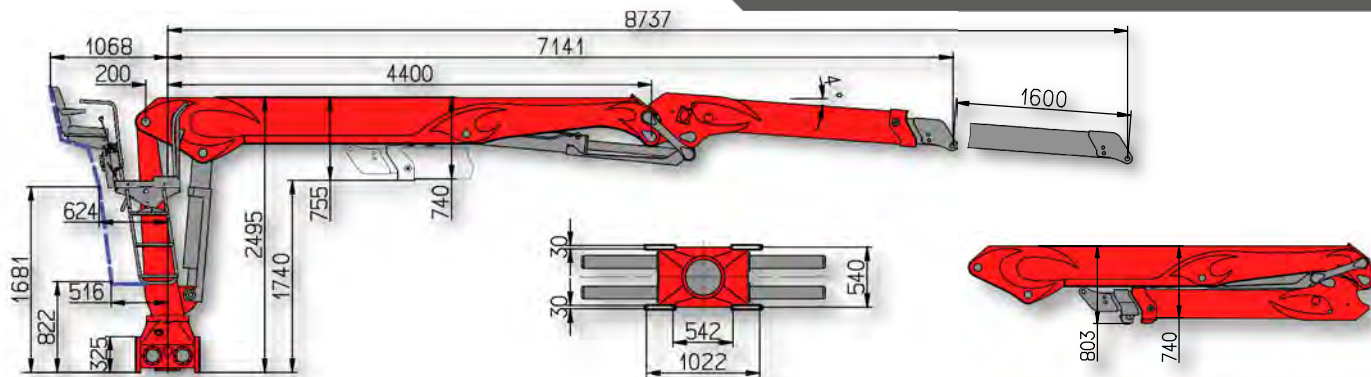
	L130K	L150K	L170K
.72	X	Y	Y
.75	1000	2650	2790
.79	1000	2980	3120
.82	1000	3300	3440
.83	1000	3650	3770
.86	1000	3670	3810
.96	1000	3160	3295
.100	1000	3520	3660

**LIV HIDRAVLIKA,**  
izdelava hidravličnih žerjavov,  
komponent in nadgradenj,  
d.o.o., Postojna

Industrijska cesta 2  
6230 Postojna  
Slovenija  
tel.: +386 5 728 37 00  
fax: +386 5 728 39 05  
e-mail: info@liv-hidravlika.si  
www.liv-hidravlika.si

	L130K							L150K							L170K							K
	72	76	79	82	83	96	100	72	76	79	82	83	96	100	72	76	79	82	83	96	100	
Tm	kNm																					
°	°																					
Q	l/min																					
M	MPa																					
max	mm																					
	kNm																					
	mm																					
	kg																					

Navedene vrednosti so informativne in neobvezujoče. Prilazujemo si pravico do tehničnih sprememb! Listewerte nur annäherend und unverbindlich. Änderungen vorbehalten!  
Listed values without obligation. All technical details are subject to alterations without notice! Dati, descrizioni ed illustrazioni sono indicativi e non impegnano il costruttore!



**145**

<b>L270K</b>	2690	2370	2095	1840	1640	1500	1310	
<b>L230K</b>	2410	2120	1870	1620	1460	1330	1150	[kg]
	8	9	10	11	12	13	14	[m]

**87**

<b>L270K</b>	6220	5040	4200	3570	3120		
<b>L230K</b>	5200	4200	3490	2960	2580		
	4	5	6	7	8		

**125**

<b>L270K</b>	3790	3250	2830	2480	2170	1960	1750
<b>L230K</b>	3170	2730	2400	2130	1890	1700	1540
	6	7	8	9	10	11	12

**81**

<b>L270K</b>	6190	5060	4210	3610	2920		
<b>L230K</b>	5190	4230	3500	3000	2420		
	4	5	6	7	8		

**110**

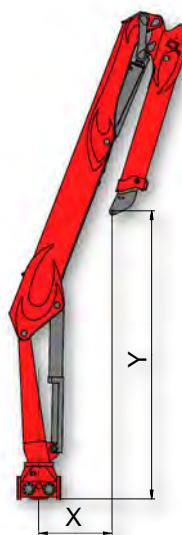
<b>L270K</b>	3940	3430	2990	2600	2330		
<b>L230K</b>	3260	2860	2510	2200	1970		
	6	7	8	9	10		

**99**

<b>L270K</b>	6200	5080	4230	3620	2920	2320	
<b>L230K</b>	5200	4250	3520	3010	2420	1930	
	4	5	6	7	8	9	

**93**

<b>L270K</b>	6210	5060	4220	3580	3120	2690	
<b>L230K</b>	5200	4220	3510	2960	2580	2210	
	4	5	6	7	8	9	



	X	Y
<b>.81</b>	1000	3320
<b>.87</b>	1000	3935
<b>.93</b>	1000	4530
<b>.99</b>	1000	3160
<b>.110</b>	1000	2865
<b>.125</b>	1000	4840
<b>.145</b>	1100	4930

## LIV HIDRAVLIKA IN KOLESA d.o.o.

Industrijska cesta 2  
6230 Postojna  
Slovenija  
tel.: +386 5 728 37 00  
fax: +386 5 728 39 05  
e-mail: info@liv-hidravlika.si  
www.liv-hidravlika.si

		L230K						L270K						K		
<b>Tm</b>	kNm	81	87	93	99	110	125	145	81	87	93	99	110		125	145
<b>Q</b>	l/min	216	215	213	212	205	198	185	261	260	257	260	245		221	206
<b>P</b>	MPa	405						405								
<b>U</b>	mm	70-90						70-90								
<b>U<sub>max</sub></b>	mm	23						25								
<b>F</b>	kNm	8070	8670	9270	9823	10784	12584	14464	8070	8670	9270	9823	10784		12584	14464
<b>F<sub>max</sub></b>	mm	40						40								
<b>H</b>	mm	1600	1600	1600	3200	1600	1600	3200	1600	1600	1600	3200	1600		1600	3200
<b>I</b>	kg	2030	2140	2270	2560	2740	2800	3050	2040	2160	2280	2560	2760		2820	3080